



M40

ROOTS
ADDING VALUE

THE TRUE **R**EVOLUTION IN HEAVY-DUTY SWEEPING



EN



MAIN TECHNICAL FEATURES M40

SWEEPING WIDTH

• with central roll-brush only	1300 mm
• with central roll-brush and right-hand side brush	1900 mm
• with central roll-brush and 2 side brushes (standard)	2500 mm
• with central brush, 2 side brushes and 3rd front brush (opt)	3300 mm

HOPPER AND WATER TANK

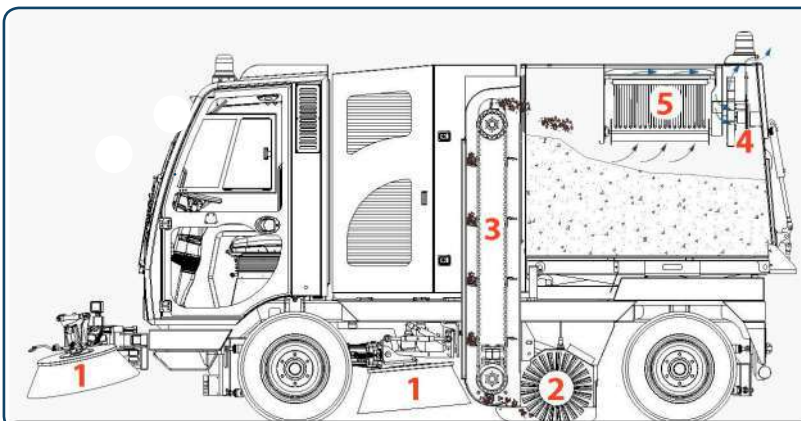
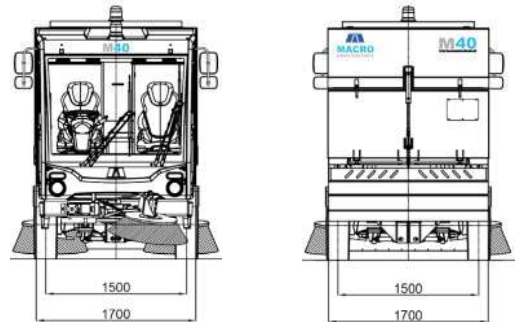
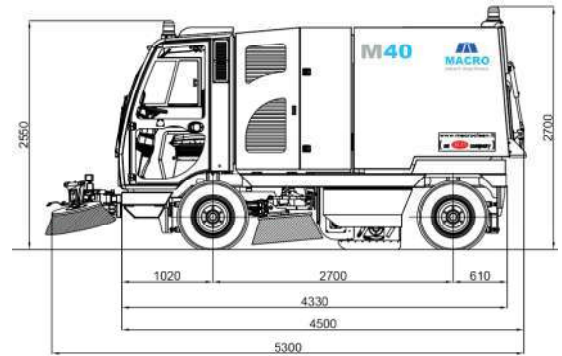
Hopper volume	4 m ³
Hopper dumping height	1,05m (opt÷2,10m)
Water tank capacity (with optional water spraying system)	400 l

ENGINE AND DRIVE SYSTEM

VM diesel engine stage 3	80 kW/107 Hp
VM diesel engine Euro 6	80 kW/107 Hp
Driving system	hydrostatic
Maximum speed	42 Km/h

OTHER FEATURES

All functions control	Electro-hydraulic
Steering system	4-wheel power st.



MECHANICAL-SUCTION SYSTEM

The waste is collected by the mechanical action of the side (1) and central (2) brushes and the vertical loading conveyor (3). The suction (4) is only aimed at capturing the dust as soon as it's raised up from the floor. The suction is optimized to allow the full suppression of dusts thanks to large surface filter (5).

MACRO•CLEAN

Established in 1991 Macro enjoys a long experience in steel fabrication, as well as in the manufacturing of cleaning equipment for major international brands and of large sweepers. Inheriting and developing Macro advanced technology along with RCM large organization, Macroclean has rapidly become a leader in the production and sales of road and industrial sweepers and today offers the widest range of mechanical-suction sweepers from 0,3 to 6 m³.

ROOTS MULTICLEAN LTD

R.K.G Industrial Estate, Ganapathy, Coimbatore - 641 006 | Phone No : 0422 4330 330 | Fax : 0422 2332 107 |
Email ID : rmclsales@rootsemail.com | Website : rootsmulticlean.com | Toll Free No : 1800-419-9779